

DISTRIBUTOR/AGENT:	DATE OF ORDER:
	DATE OF DELIVERY:
	NAME OF THE ADDRESSEE/USER:



Tested by **DEKRA Stuttgart**
and listed in the **GERMAN HMV** (Technical Aids Listing)
FDA registered - **USA**
CE marked

FUNCTIONS

- Non-toxic epoxy varnished chromium-plated **frame**, in steel
- Padded **pelvic support** adjustable in height as well as backwards-forwards
- Padded **chest support** adjustable in height and removable
- Double thickness cotton fabric **harness** adjustable in height thanks to belts and buckles in girth with velcro strips. It can be easily removed for washing
- **Unpierceable wheels**, front pivoting cm 17 and back fixed cm 30
- Semi-elastic **PVC bumpers** to protect from impacts
- **hand brakes**

Please check off the interested products:

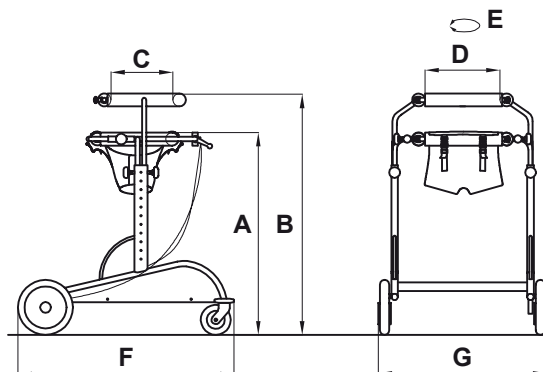
MEASURES

- DYNAMICO-2 (small)** **YELLOW frame**
- DYNAMICO-3 (medium)** **YELLOW frame**
- DYNAMICO-4 (large)** **ANTHRACITE frame**
- DYNAMICO-5 (for adults)** **ANTHRACITE frame**

Upholsteries colour: **Black**



Attention!
Read carefully the user and
maintenance manual



SIZES	MAX CAP. LOAD	A	B	C	D	E	F	G	AID WEIGHT	WEIGHT BAR right+left	turning width
2	Kg. 70	cm 74-90	cm 85-103	cm 21	cm 28	cm 75	cm 90	cm 74	Kg. 17,9	Kg. 5	cm 110
3	Kg. 85	cm 85-110	cm 97-124	cm 25	cm 30	cm 85	cm 94	cm 74	Kg. 19,3	Kg. 6,2	cm 116
4	Kg. 100	cm 93-120	cm 100-134	cm 30	cm 35	cm 110	cm 101	cm 78	Kg. 20,4	Kg. 7,4	cm 122
5	Kg. 115	cm 106-128	cm 116-141	cm 32	cm 41	cm 120	cm 111	cm 82	Kg. 22,7	Kg. 8,7	cm 135

ACCESSORIES

809 Arm supports



943 Arm straps for arm supports 809



813 Adjustable handlebar
Alternative to 809



810 Weight bars

Please see the table above, to check the added weight for each size



Note:

