

ORDER FORM

DONDOLINO

vertical standing frame

tray and wheels included



FDA registered - USA
CE marked



Attention!
Read carefully the user and
maintenance manual

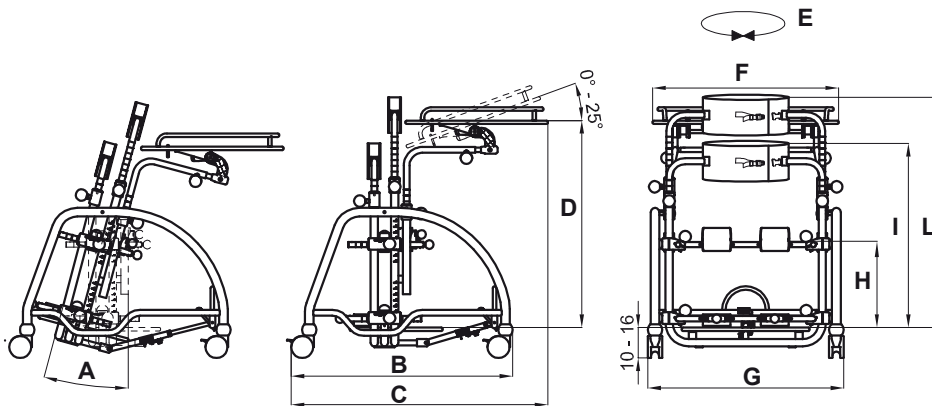
FUNCTIONS

- No edge **tilting frame** in order to enable trunk rotation and side-arm motion. Continuous adjustment, without snaps (by gas spring).
- **Birch wood table.** It is removable and adjustable in height, tilt and depth.
- **Trunk Support** adjustable in its circumference thanks to Velcro straps, in height, back and forward.
- **Pelvic Support** adjustable in its circumference thanks to Velcro straps, in height, back and forward.
- **Numbered bars** to find the right setting, determined by the therapist
- **Knee-pads** adjustable in height, width, depth and in a rotatory movement.
- **Heelrests** adjustable in depth and width.
- **Birch wood footboard.** It gives a safe guide to the child. It is adjustable in height
- **Twinned solid Wheels**, 75 mm. diam., rear wheels with brakes. Thanks to the wheels the aid can be moved from one room to another having the child on it.

Please check off the interested products:

- DONDOLINO 1 DONDOLINO 2 DONDOLINO 3

MEASURES



User dimensions

USER HEIGHT (C)
size 1: min cm 75 - max cm 100
size 2: min cm 95 - max cm 125
size 3: min cm 120 - max cm 150

IMPORTANT:
make sure that measures D and E indicated in the figure do not exceed the suggested range indicated for pelvic and trunk supports.

SIZE	WEIGHT	MAX LOAD CAP	A	B	C	D	E	F	G	H	I	L
1	Kg. 19	Kg. 35	0°-19°	cm 63	cm 77-87	cm 45-73	cm 60	cm 64	cm 63	cm 12-25	cm 40-57	cm 52-74
2	Kg. 24	Kg. 45	0°-14°	cm 77	cm 83-96	cm 52-87	cm 65	cm 64	cm 67	cm 12-37	cm 50-70	cm 60-80
3	Kg. 26	Kg. 55	0°-11°	cm 83	cm 90-100	cm 61-99	cm 70	cm 64	cm 71	cm 12-49	cm 59-72	cm 73-110

ACCESSORIES

944
Circumference reduction parts
Thickness: 3 cm. each side

view from above

865
Adjustable headrest

Notes:

