

DISTRIBUTOR/AGENT:	DATE OF ORDER:
	DATE OF DELIVERY:
	NAME OF THE ADDRESSEE/USER:



FDA registered - USA  
CE marked

FUNCTIONS

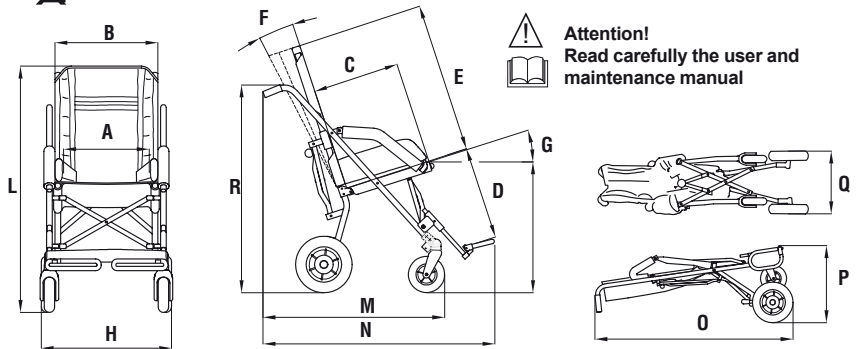
- **Lightweight aluminium frame**, painted with non-toxic epoxy powders. It folds just like an umbrella
- **Semi-rigid backrest**, reclines in three positions with zippers
- **Semi-rigid seat bottom**, slightly inclined
- **Padded upholstery** removable for washing, with removable aluminium reinforcement ribs; slots for attaching accessories
- **Net basket** on the back of the backrest
- **Removable footrests** height adjustable
- **Legrest strap**
- **Puncture-proof wheels** sliding on ball bearings: front 17.5-cm swivelling, rear 25-cm with independent brakes

Please check off the interested products:

MEASURES

CLIP-4

Upholstery colour: **Blue and grey combined**  
Frame Colour: **Grey**



MAX LOAD CAP	Total weight	A*	B	C	D	E	F	G	H	I	L	M	N	O	P	Q	R
Kg. 76	Kg. 12,5	cm 33	cm 45	cm 38	cm 36-48	cm 70	0°-10°	18°	cm 57	cm 59	cm 112	cm 82	cm 105	cm 115	cm 56	cm 34	cm 95

\* Seat width without padded sides (A) cm 45

ACCESSORIES

<input type="checkbox"/> <b>812</b> Wheel direction locks 	<input type="checkbox"/> <b>816</b> Side supports for the trunk 	<input type="checkbox"/> <b>817</b> Leg straps 	<input type="checkbox"/> <b>818</b> Thermal cover 	<input type="checkbox"/> <b>819</b> Canopy 	<input type="checkbox"/> <b>825</b> Rain cover (it can only be attached after the canopy 819) 
<input type="checkbox"/> <b>827</b> Foot straps 	<input type="checkbox"/> <b>828</b> Chest belt 	<input type="checkbox"/> <b>835</b> Adjustable headrest 	<input type="checkbox"/> <b>853</b> Vest harness 	<input type="checkbox"/> <b>894</b> 45° Pelvic belt 	<input type="checkbox"/> <b>903</b> Five point vest harness 

**906** Five point harness

Notes:

.....

.....

.....

.....

