

# Convoid Flyer - HCPCS E1233/E1161

## Retail Price List / Order Form

Account #: \_\_\_\_\_

Purchase Order #: \_\_\_\_\_ Date: \_\_\_\_\_

Contact: \_\_\_\_\_

Mark For: \_\_\_\_\_

Bill To:	Ship To:
Address:	Address:
City/State/Zip:	
Phone:	City/State/Zip:
Email:	Phone:

### Flyer Base Standard Features:

- CG Tilt-in-Space (-5° to +40°)
- 30° back angle adjustment (80° to 110°)
- Quick Release Rear Wheels
- Single Foot Activated Wheel Lock
- HCPCS code E1161 is only valid on chairs 15" or greater
- 90° Removable, Front Riggings with Fixed Angled Footplate
- Flip-up armrests - Long (Standard on FL15 and FL16)
- Choice of 3 Mobility Base colors
- Choice of One Piece or Two Piece Push Handle
- Choice of three back cane heights
- Made in the USA

### Standard Models:

	Price
<input type="checkbox"/> Flyer FL12 - 905088	<b>\$2,799</b>
<input type="checkbox"/> Flyer FL13 - 905089	<b>\$2,799</b>
<input type="checkbox"/> Flyer FL14 - 905090	<b>\$2,799</b>
<input type="checkbox"/> Flyer FL15 - 905091	<b>\$2,799</b>
<input type="checkbox"/> Flyer FL16 - 905092	<b>\$2,799</b>

### Frame Colors

- Red  
 Blue  
 Silver

### Price

N/C  
N/C  
N/C

### HCPCS

	FL12	FL13	FL14	FL15	FL16
	905133	905133	905133	905133	905133
	905134	905134	905134	905134	905134
	905135	905135	905135	905135	905135

### Seat Depth Range Options (see chart on last page of order form)

- Position 1: 11"-15"  
 Position 2: 13"-17"  
 Position 3: 15"-19"  
 Position 4: 17"-21"

\*Seat Depth is reduced by 1 1/2" when used with Solid Back System with Cushions and requires tools.

### Price

N/C  
N/C  
N/C  
N/C

### HCPCS

	FL12	FL13	FL14	FL15	FL16
	905197	905197	905197	905197	905197
	905198	905198	905198	905198	905198
	905199	905199	905199	905199	905199
	905200	905200	905200	905200	905200

### Tire Selection

- 12" Rear Tire, 6" x 2" Front Caster (15" Front Seat to Floor Height)  
 16" Rear Tire, 7.5" x 2" Front Caster (17" Front Seat to Floor Height)

### Price

N/C  
N/C

### HCPCS

	FL12	FL13	FL14	FL15	FL16
	905303	905304	905305	905306	905307
	905059	905060	905061	905062	905063

### Seat Options

- Select One:**  
 Planar Seat Cushion (Includes Solid Seat Pan)\*\*  
 Seat Pan: 12"-16" Width, 4" Depth Growth ^^

\*\*Planar Seat Cushion HCPCS code only applies to pediatric sizes 12, 13, and 14.

^^Needed when using other manufacturer's seat cushion.

### Price

**\$325**  
**\$150**

### HCPCS

	FL12	FL13	FL14	FL15	FL16
	905083	905084	905085	905086	905087
	905057	905057	905057	905057	905057

### Back Options

- Back Cane Fixed Heights\* (7/8" diameter)- with Push Handles (Select One):**  
 Short: 19" - (Supports back height range: 13" - 19")\*\*\* (Cannot be used with IV Pole)  
 Medium: 22" - (Supports back height range 13" - 22")\*\*\*  
 Tall: 25" - (Supports back height range 13" - 25")\*\*\*  
 Height adjustable solid back system (13" - 25") with 3 back cushions and front/back covers\*\*\*\*

### Cushion Accent Color (cushion is black, color is for piping along sides) Select One:

- Royal Blue  
 Forest Green  
 Cherry Red  
 Sassy Purple  
 Princess Pink  
 Panther Black  
 Chocolate Brown  
 Aqua Blue  
 Apple Green

\*\*\*Measured from pan to push handle bend.

\*\*\*\*Height Adjustable Solid Back System w/Back Cushion HCPCS code only applies to pediatric sizes 12, 13, and 14.

### Price

N/C  
N/C  
N/C  
**\$525**  
N/C  
N/C  
N/C  
N/C  
N/C  
N/C  
N/C  
N/C  
N/C

### HCPCS

	FL12	FL13	FL14	FL15	FL16
	905054	905054	905054	905054	905054
	905055	905055	905055	905055	905055
	905056	905056	905056	905056	905056
	905093	905094	905095	905096	905097
	903850	903850	903850	903850	903850
	903857	903857	903857	903857	903857
	903855	903855	903855	903855	903855
	903851	903851	903851	903851	903851
	903759	903759	903759	903759	903759
	903854	903854	903854	903854	903854
	904189	904189	904189	904189	904189
	904753	904753	904753	904753	904753
	904754	904754	904754	904754	904754

### Push Handle Option

- Two Piece Push Handle

### One-Piece Height Adjustable Push Handle Option (+- 9" height adjustable from back canes height) (Select One):

- Outside Mount  
 Inside Mount

### Price

N/C  
N/C  
N/C

### HCPCS

	905311	905311	905311	905311	905311
	905108	905109	905110	905111	905112
	905098	905099	905100	905101	905102

### Transit

- Transit Option (Manufacturer Installation Required)±

±See bottom of order form regarding the specific configuration in which the chair was tested for WC-19.

### Price

**\$200**

### HCPCS

	FL12	FL13	FL14	FL15	FL16
	905082	905082	905082	905082	905082

### Transit Options

- Q'Straint Transit Lap Belt  
 Sure-Lok Transit Lap Belt

### Price

**\$90**  
**\$90**

### HCPCS

	FL12	FL13	FL14	FL15	FL16
	903094	903094	903094	903094	903094
	903232	903232	903232	903232	903232

### Pelvic Positioning

- 2-Point Pelvic Positioning Belt

### 4-Point Pelvic Positioning Belt by R82 (Hardware Required)

- W: 9-10.25" X D: 21.5" (Size 0)  
 W: 10.25-11.25" X D: 21.5" (Size 1)  
 W: 12-13.5" X D: 21.5" X H: 19.5" (Size 2)  
 W: 14-15.5" X D: 21.5" X H: 19.5" (Size 3)  
 R82 Hardware (Required for R82 Belt)

### Left Width, Height Adj. Lateral Pelvic Support (Hip Guide)

- Small - H: 4.5" - 5.5"  
 Large - H: 5.25" - 6.25"

### Right Width, Height Adj. Lateral Pelvic Support (Hip Guide)

- Small - H: 4.5" - 5.5"  
 Large - H: 5.25" - 6.25"

\*Height is reduced by 2" when used with Cushion.

### Price

**\$45**  
**\$135**  
**\$135**  
**\$135**  
**\$135**  
N/C  
**\$120**  
**\$120**  
**\$120**  
**\$120**

### HCPCS

	FL12	FL13	FL14	FL15	FL16
	903931	903931	903931	904559	904559
	905148	905148	905148	905148	905148
	905149	905149	905149	905149	905149
	905150	905150	905150	905150	905150
	905151	905151	905151	905151	905151
	905280	905280	905280	905280	905280
	905320	905320	905320	905320	905320
	905322	905322	905322	905322	905322
	905321	905321	905321	905321	905321
	905323	905323	905323	905323	905323



**Medical Support Accessories**

- IV Pole (height adjustable and collapsible)<sup>o^^</sup>
- O2 Tank Holder\*
- LTV Ventilator Holder
- Ventilator/Suction/Hard Tray
- <sup>o</sup>Requires Rear Anti-Tip Tubes.
- <sup>\*</sup>Cannot be used during transit.
- <sup>^^</sup>Required with medium or tall back canes.

Price	HCPCS
\$150	K0105
\$175	E2208
\$450	E1029
\$450	E1029

FL12	FL13	FL14	FL15	FL16
904566	904566	904566	904566	904566
905070	905070	905070	905070	905070
905071	905071	905071	905071	905071
905079	905079	905079	905079	905079

**Accessories**

**Headrest Cover Options (Canopy)**

- Headrest Cover (Canopy)<sup>o</sup>
- Extended Headrest Cover - No Windows (Canopy)<sup>o</sup>
- Extended Headrest Cover - with Windows (Canopy)<sup>o</sup>
- Upper Extremity Support Tray (Armrests Required)<sup>o^^</sup>
- Adj. Removable Hardware (Required for Clear Tray)
- Upper Extremity Support Surface (Foam Tray)
- Caster Locks (Manufacturer Installation Required) (ELR recommended to avoid caster & front rigging interference)
- Rear Anti-Tip Tubes
- Under Seat Storage Basket
- Medical Necessity Storage Basket
- <sup>\*\*</sup>Cannot be used during transit.
- <sup>^</sup>Armrests required for sizes 12, 13, and 14. Armrest is standard on sizes 15 & 16.
- <sup>o</sup>IV Pole & Canopy Cannot be used simultaneously.

Price	HCPCS
\$228	K0108
\$250	K0108
\$295	K0108
\$110	E0950
\$227	E1028
\$150	E0950
\$94	K0073
\$115	E0971
\$120	
\$295	

FL12	FL13	FL14	FL15	FL16
902679	902679	902659	902659	903152
904729	904729	904730	904730	904731
904745	904745	904746	904746	904747
903405	903405	903401	903401	904525
903369	903369	903369	903369	903369
903669	903669	903670	903670	903670
904650	904650	904650	904650	904650
905069	905069	905069	905069	905069
905195	905195	905196	905196	905196
905274	905274	905275	905275	905275

\*\*\*The Flyer Transit option includes four manufacturer installed black wheelchair transportation anchors. The Flyer Transit model has been crash tested and conforms to RESNA WC19 standards.

The Convoid Flyer Mobility Base was tested with the Flyer Seating Module equipped with a head support and wheelchair anchored pelvic lap belt. The performance and safety of accessories and/or other seating options not tested by Convoid is unknown, and no warranty or claim about their performance is or can be made.

Transit and Non Transit weight capacity: Back Cane Position 1: 85 lbs/39 kg and Back Cane Position 2-4: 170 lbs/77 kg.

Furthermore, when being transported in a vehicle it is Convoid's position that the wheelchair user transfer from the wheelchair into appropriate vehicle seating during transportation. Please note that at this time, the Department of Transportation has not officially approved any tie-down system for a user while in a wheelchair, therefore Convoid cannot recommend a transit system.

For more information on RESNA WC-19 and WC-20 standards please visit <http://www.rercwts.pitt.edu/WC19.html>.

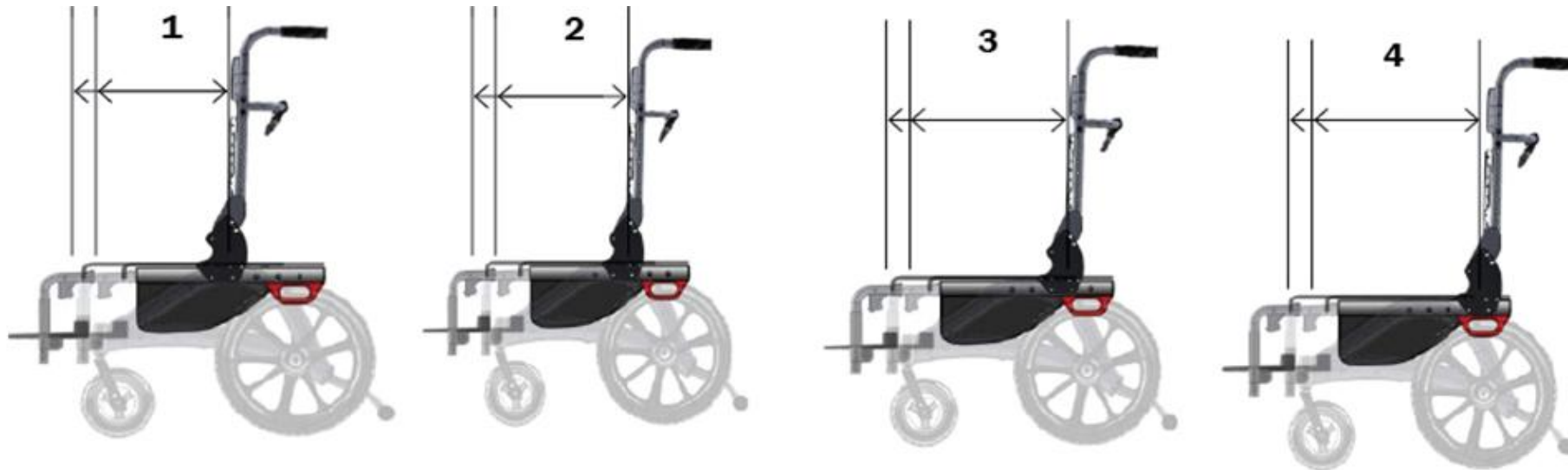
HCPCS codes are provided for your convenience and are NOT to be considered billing or legal advice. Providers are responsible for insuring that appropriate billing codes are used when submitting claims. Proper use of HCPCS codes does not insure coverage or payment. Contact the appropriate payer for coverage information.

**Standard Domestic Shipping Rate: \$40 • For expedited shipping rates, please call 1-844-876-6245**

2830 California St., Torrance, CA 90503 • 1-844-876-6245, 310-618-0111 • Fax: 310-618-2166

Prices in USD & subject to change, ex works Torrance, California.

**Seat Depth Adjustable Positions:**



Position Option	1	2	3	4
Seating System Seat Depth Adjustment Range				
Back Canes	11" – 15"	13" – 17"	15" – 19"	17" – 21"
Solid Back*	9.5" – 13.5"	11.5" 15.5"	13.5" – 17.5"	15.5" – 19.5"
*Seat Depth is reduced by 1 1/2" when used with solid back seating system				