

CLIP



INGLESE Cod. 22428/A 19-02-18

 *design and quality*
MADE IN ITALY since 1980

ORMESA®

Functions

Pre-Engineered for **headrest**

Pre-Engineered for **vest harness**

Pre-Engineered for **side trunk supports**

Semirigid seat
with inner aluminium
supports

8" (20 cm) **solid wheels**
with brakes

3 Seatback positions
available through the
ingenious use of zippers
(pict. 1). Seatback and seat
have aluminium bars for
rigidity contouring

Breathable upholstery

Frame lock

Legrest strap

6" (15 cm)
castor wheels



Net basket on the
back of the backrest
(pict.1)

Footrest: detachable
and height **adjustable**

CLIP 1-2-3



The CLIP is **light weighted**
and can be **easily folded**

The CLIP has an **inclined seat**
to assure the **maximum comfort**
to the child.

CLIP 4



Folding
aluminium frame



Accessories



▶ **812**
Directional locks



▶ **827**
Foot straps



▶ **817**
Leg straps for abduction



▲ **828**
Seat belt



▲ **894**
Pelvic belt



▲ **819**
Canopy



▲ **818**
Thermal cover



▲ **825**
Rain cover
to be fixed to the 819 canopy



▶ **816**
Side supports
for the trunk



▶ **835**
adjustable Headrest



▶ **853**
Vest harness



▶ **906**
Five point harness



▶ **903**
Five point vest harness

WARNING:

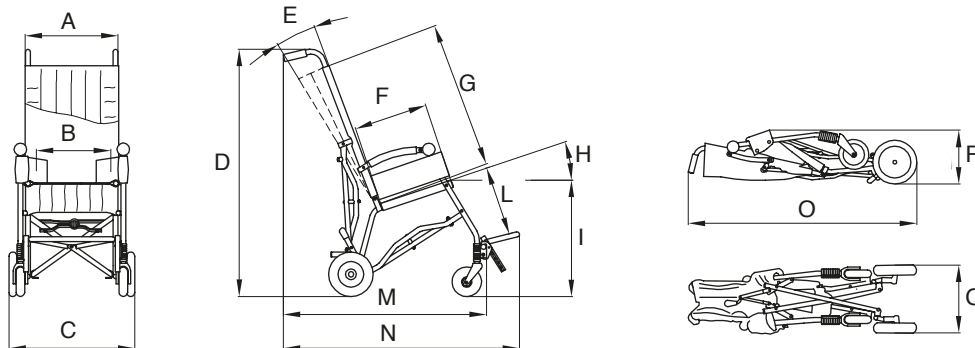
- fits the ISO 10542 compliant 4-POINT STRAP-TYPE TIEDOWN, provided by the vehicle
- it is required for the child to wear both pelvic- and shoulder-belt-type restraints, to be compliant either with ISO 7176-19 or ISO 10542
- postural belts and harnesses such as our 828, 853, 894, 903, 906 are not approved for the use as an occupant restraint system
- the vehicle must be suitable for transporting orthopedic pushchairs in compliance with current law
- read the warnings and instructions given in the user's & maintenance book



▶ **891 SET OF 4 TIE DOWN HOOKS** (only SIZES 1-2-3) for the forward-facing transport of the pushchair in a motor vehicle (private vans/cars, buses..)

measures in centimeters, weights in kilos

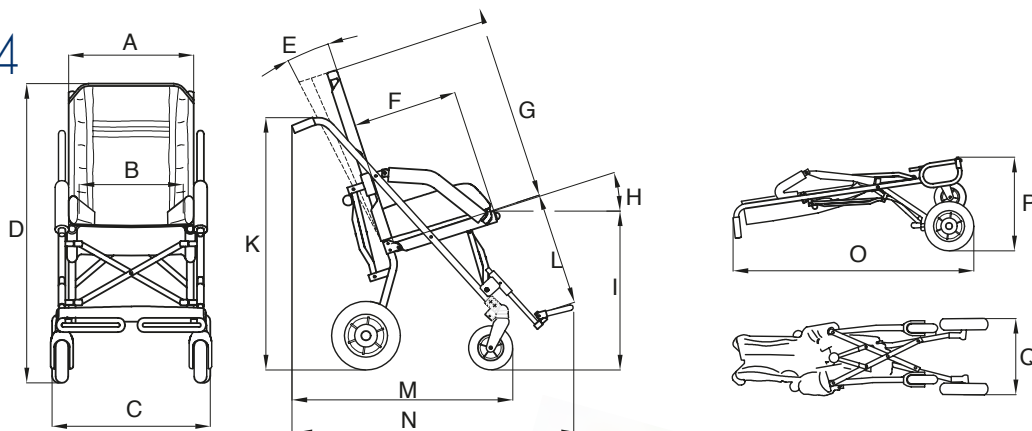
CLIP 1-2-3



	MAX. USER MASS	A	B	C	D	E	F	G	H	I	K	L	M	N	O	P	Q	WEIGHT OF THE AID
CLIP 1	30 kg	40 cm	30 cm	51 cm	99 cm	0°-12°	25 cm	55 cm	18°	46 cm	--	15-23 cm	73 cm	80 cm	110 cm	30 cm	32 cm	10,8 kg
CLIP 2	35 kg	40 cm	33 cm	51 cm	99 cm	0°-12°	30 cm	59 cm	18°	48 cm	--	21-31 cm	73 cm	90 cm	110 cm	30 cm	32 cm	11 kg
CLIP 3	40 kg	40 cm	36 cm	51 cm	104 cm	0°-12°	35 cm	64 cm	18°	49 cm	--	27-37 cm	79 cm	96 cm	115 cm	32 cm	35 cm	11.2 kg
CLIP 4	76 kg	45 cm	*33 cm	57 cm	112 cm	0°-10°	38 cm	70 cm	18°	59 cm	95 cm	36-48 cm	82 cm	105 cm	115 cm	56 cm	34 cm	12,5 kg

* Seat width is cm 45 if you remove the lateral paddings

CLIP 4



THE NUMBERS DIVIDED BY THE DASH SPECIFY A MINIMUM AND A MAXIMUM ADJUSTMENT



Clip 1-2-3 passed the CRASH TEST according to the ISO 7176-19 for the forward-facing transport of the pushchair in a motor vehicle (private vans/cars, buses..)

Product Certified by the following institute:
CERAH France

Product marked
CE

Product
FDA USA registered

Authorized Dealer

ORMESA s.r.l. On with the Future

Via A. Da Sangallo,1 - 06034 FOLIGNO (PG) ITALY
TEL. +39 0742 22927-FAX +39 0742 22637
info@ormesa.com-www.ormesa.com



COMPANY WITH QUALITY MANAGEMENT SYSTEM CERTIFIED BY
= ISO 9001 =

The copyright even if partial is forbidden without any authorization of the manufacturer. The manufacturer reserves the right to introduce any changes without prior notice.